






ELECTRICAL CLIPS & RUBBER BOOTS


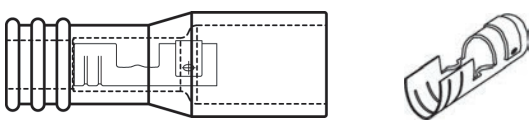
 <p> No. E9-LV CLIP</p>	<p><i>Vinyl</i></p>  <p> No. E9-LV BOOT</p>	 <p> No. E9-20 AMP CLIP</p>	<p><i>Vinyl</i></p>  <p> No. E9-20 AMP BOOT</p>
<p><i>Distributor nipple</i></p>  <p> No. E9-DN</p>	<p><i>Silicone Rubber</i></p>  <p> No. E9-250 BOOT</p>	<p><i>Silicone Rubber</i></p>  <p> No. E9-251 BOOT</p>	



Take a look ...

JUMPERS & CORD CLIP SETS on page T13

HIGH TEMPERATURE CERAMIC SPARK PLUG BOOTS with Stainless Steel Terminals

 No.	Ref. No.	Description
<p>E9-ECF</p>	<p>ECF</p>	<p>EXTENDED CERAMIC BOOT - with stainless steel terminal for 7mm ignition wire</p> 
<p>E9-AECF</p>	<p>AECF</p>	<p>ANGLE EXTENDED CERAMIC BOOT - with stainless steel terminal for 7mm ignition wire</p> 