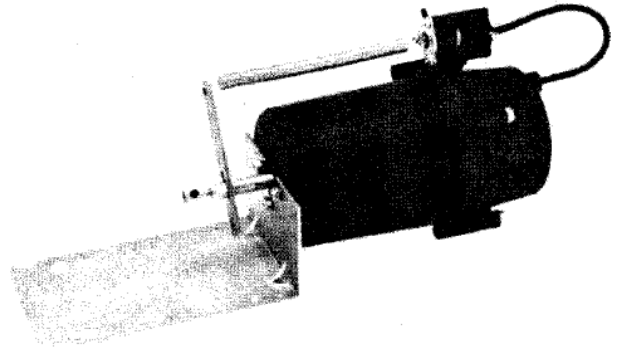


**Damper Actuator Positioner Kit
Data Sheet**

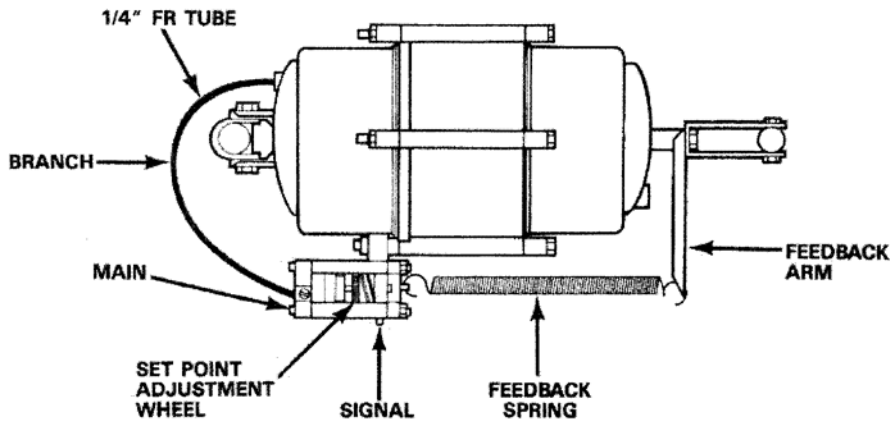
Add-on positive positions kits for 2473, 2474 and 2466 Damper Actuators.

Table-1 Ordering Data.

Schneider Electric Wholesale Number	Description
2850-017	5 psig Span Feedback Spring - Fits 2473 Actuator
2850-018	10 psig Span Feedback Spring - Fits 2473 Actuator
2850-019	5 psig Span Feedback Spring - Fits 2474 Actuator
2850-020	10 psig Span Feedback Spring - Fits 2474 Actuator
2850-028	3 psig Span Feedback Spring - Fits 2473 Actuator
2850-030	3 psig Span Feedback Spring - Fits 2474 Actuator
2850-031	3 psig Span Feedback Spring - Fits 2466 Actuator
2850-053	5 psig Span Feedback Spring - Fits 2466 Actuator
2850-054	10 psig Span Feedback Spring - Fits 2466 Actuator



POSITIVE POSITIONER MOUNTING



POSITIVE POSITIONER PIPING

POSITIVE POSITIONER ADJUSTMENT

See Figure 1.

SPAN

The signal pressure change required to produce full actuator stroke is determined by the feedback spring. Cataloged models are supplied with factory installed 5 psig springs.

START POINT

The signal pressure at which the actuator shaft begins to move is adjustable 3 to 12 psig by rotating the recessed brass knurled dial in the center of positioner.

The start point of the actuator may be adjusted by setting the signal pressure to the desired value and turning the recessed knurled wheel by hand until the actuator shaft begins to move.

The positioner requires a signal connection to "S" and a main air connection to "M". The positioner output, located below the needle valve, is connected to the actuator signal port.

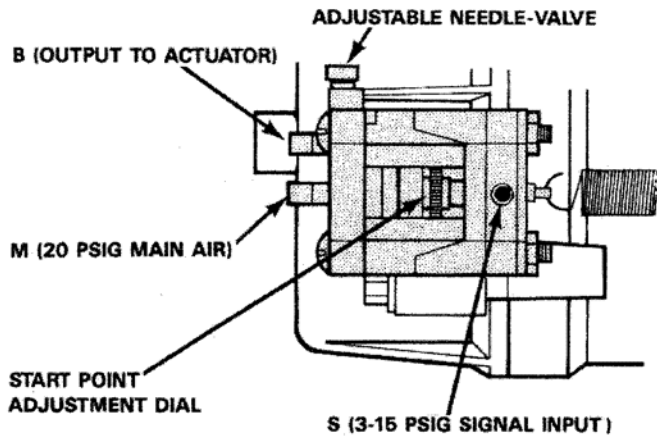


Figure-1 Positioner Adjustment and Port Connections.

ADJUSTABLE NEEDLE-VALVE

Needle-valve allows the adjustment of the rate of actuator movement.

With this needle-valve 3", 4" and 6" actuators may be adjusted with a small blade screw driver, if required, to:

Give the actuators the same relative rate of movement.

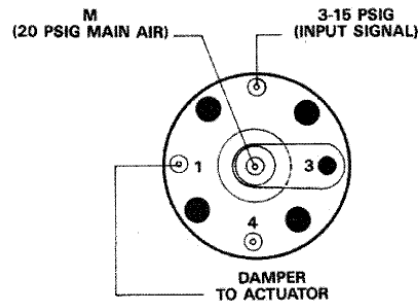
This makes it possible, for example, to have outside return and relief damper on an air handling unit move "together", rather than at different rates. This is especially important -

1. When large air handling units are started and stopped.
2. When the dampers are switched from "summer" to "winter" operation (or vice versa).

Both the above examples can cause large damper movements.

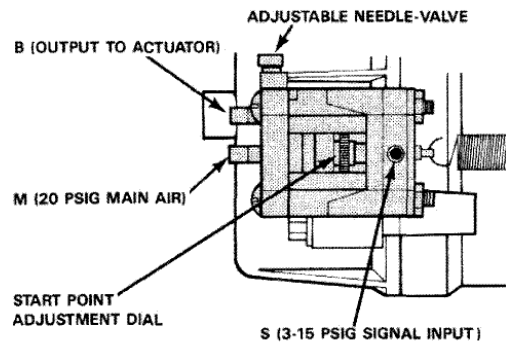
PORT CONNECTIONS - OLD STYLE POSITIONER TO NEW STYLE

OLD STYLE CONNECTIONS



MODEL 21-102

NEW STYLE CONNECTIONS



MODEL 20-064

Table-2 Individual Replacement Parts List.

Item	New Number	Spring Range	Item	New Number	Spring Range
Positive	20-064	-	Spring 2474	20-068	3#
Spring 2473 Replacement	20-065	3#		20-069	5#
	20-066	5#	Replacement	20-070	10#
	20-067	10#	Feedback Arm	20-074	-
Spring 2466 Replacement	20-071	3#			
	20-072	5#			
	20-073	10#			

Note: If kit is not ordered, when replacing old style positioner (21-102) appropriate spring and feedback arm will be required.

On October 1st, 2009, TAC became the Buildings business of its parent company Schneider Electric. This document reflects the visual identity of Schneider Electric, however there remains references to TAC as a corporate brand in the body copy. As each document is updated, the body copy will be changed to reflect appropriate corporate brand changes.

Copyright 2010, Schneider Electric
All brand names, trademarks and registered trademarks are the property of their respective owners. Information contained within this document is subject to change without notice.

Schneider Electric
1354 Clifford Avenue
P.O. Box 2940
Loves Park, IL 61132-2940
www.schneider-electric.com/buildings

