

# C-ALL OBSERVATION PORTS

MODEL: 5713-C-ALL  
5713-C-ALL-FP

Revision: 0

BULLETIN  
5713



## DESCRIPTION

**C-ALL Observation Ports** permit the operator to observe the interior of kilns, ovens, furnaces or boilers under operating conditions. The inside shutter closes automatically when the counterweighted handle is released.

Heat resisting glass window is sealed to prevent air infiltration or flame sting-out. A stainless screen protects the window and high temperature gaskets cushion the glass.

## FEATURES

- Rugged cast iron construction
- Stainless shutter
- Glass easily cleaned
- Clear or cobalt blue glass
- Counterweighted handle
- Large viewing area

**CAUTION:** Operation of combustion equipment can be hazardous resulting in bodily injury or equipment damage. Each burner should be supervised by a combustion safeguard and only qualified personnel should install, make system adjustments and perform any required service.



**pyronics inc.**

COMBUSTION FOR INDUSTRY

17700 MILES ROAD  
CLEVELAND, OH 44128  
www.pyronics.com

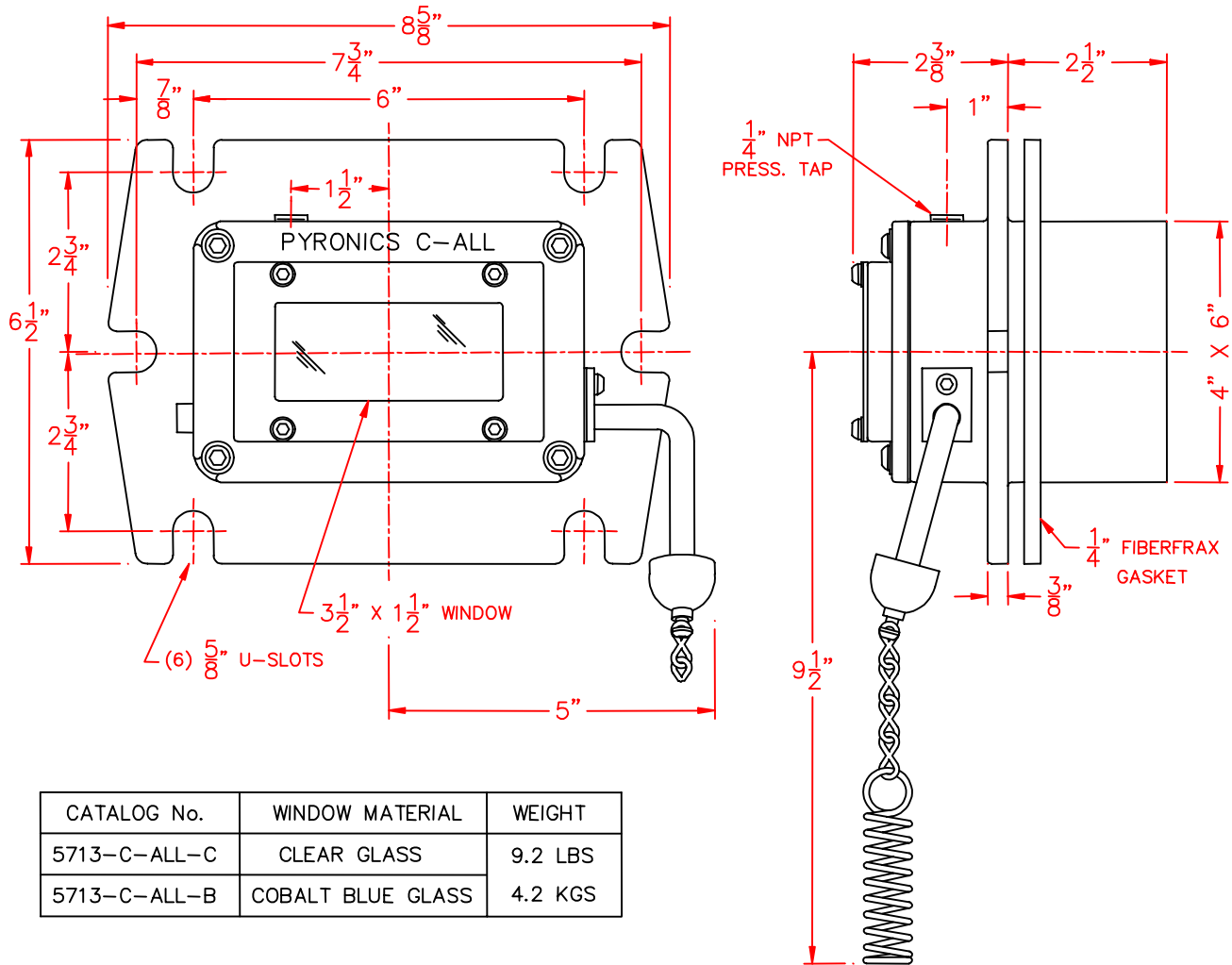
Tel: 216-662-8800  
Fax: 216-663-8954  
marketing@pyronics.com

**NOTICE:** PYRONICS practices a policy of continuous improvement in the design of its products. It reserves the right to change the specifications at any time without prior notice.

# C-ALL OBSERVATION PORTS

BULLETIN 5713  
PAGE NO. 2

## DIMENSIONS



CATALOG No.	WINDOW MATERIAL	WEIGHT
5713-C-ALL-C	CLEAR GLASS	9.2 LBS
5713-C-ALL-B	COBALT BLUE GLASS	4.2 KGS

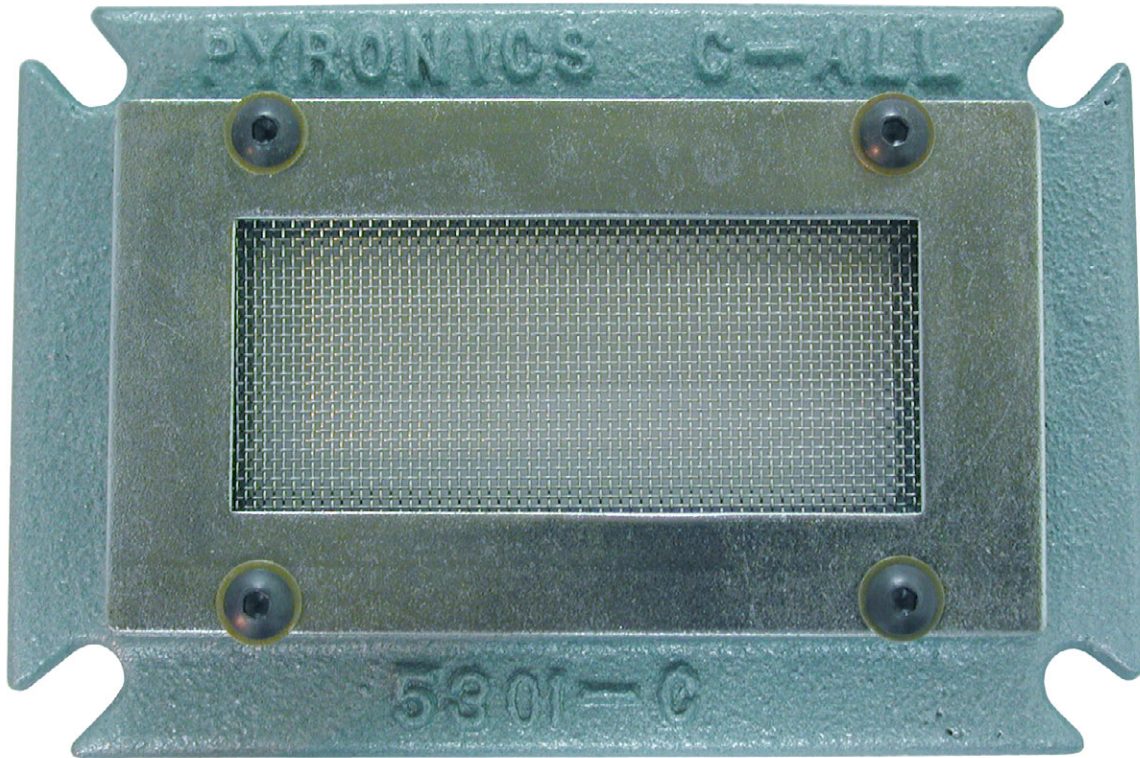
## ORDERING INFORMATION

Please include the following information with your order:

1. Specify Model Number and Quantity.
2. Shipping Instructions.

# C-ALL-FP OBSERVATION PORT FRONT PLATES

BULLETIN 5713  
PAGE NO. 3



## DESCRIPTION

**C-ALL-FP Observation Ports** are the front plates of the C-ALL assembly. They provide the operator with a large viewing area into ovens or air heaters operating below 700 °F.

The high temperature glass is sealed with gaskets and protected by a stainless steel screen.

## FEATURES

- Cast iron frame
- Large viewing area
- Stainless steel screen
- Simple installation
- Clear or cobalt blue glass

**CAUTION:** Operation of combustion equipment can be hazardous resulting in bodily injury or equipment damage. Each burner should be supervised by a combustion safeguard and only qualified personnel should install, make system adjustments and perform any required service.



**pyronics inc.**

COMBUSTION FOR INDUSTRY  
17700 MILES ROAD  
CLEVELAND, OH 44128  
www.pyronics.com

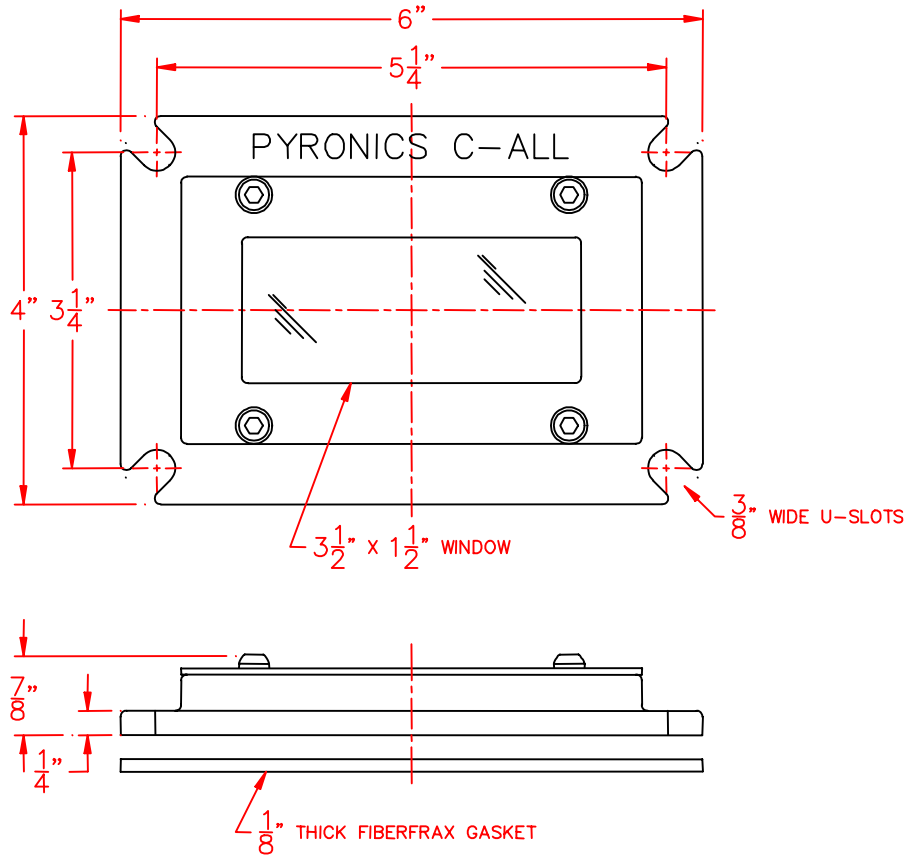
Tel: 216-662-8800  
Fax: 216-663-8954  
marketing@pyronics.com

**NOTICE:** PYRONICS practices a policy of continuous improvement in the design of its products. It reserves the right to change the specifications at any time without prior notice.

# C-ALL-FP OBSERVATION PORT FRONT PLATES

BULLETIN 5713  
PAGE NO. 4

## DIMENSIONS



CATALOG No.	WINDOW MATERIAL	WEIGHT
5713-C-ALL-FP-C	CLEAR GLASS	2 LBS
5713-C-ALL-FP-B	COBALT BLUE GLASS	.9 KGS

## ORDERING INFORMATION

Please include the following information with your order:

1. Specify Model Number and Quantity.
2. Shipping Instructions.