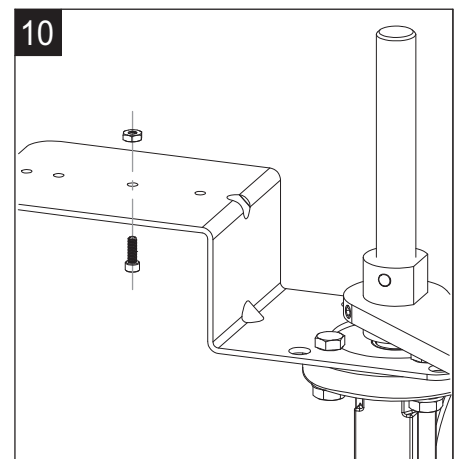
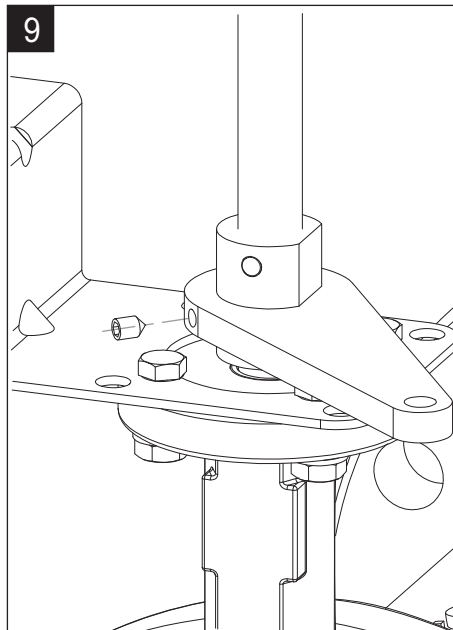
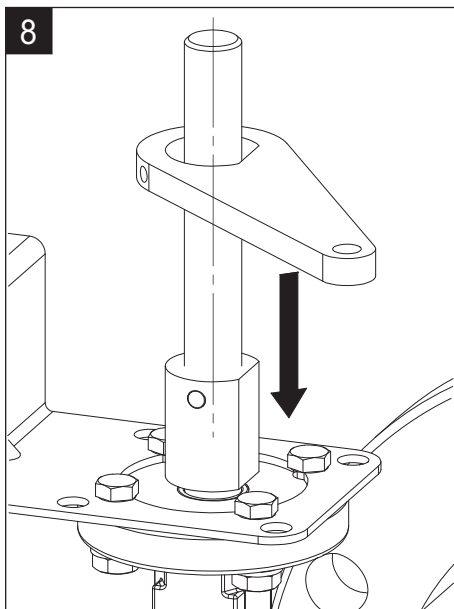
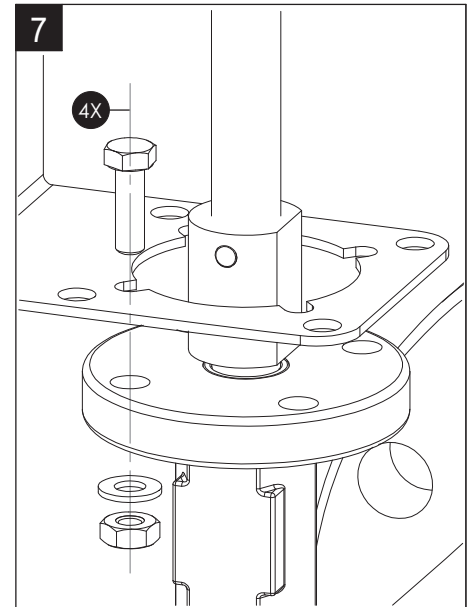
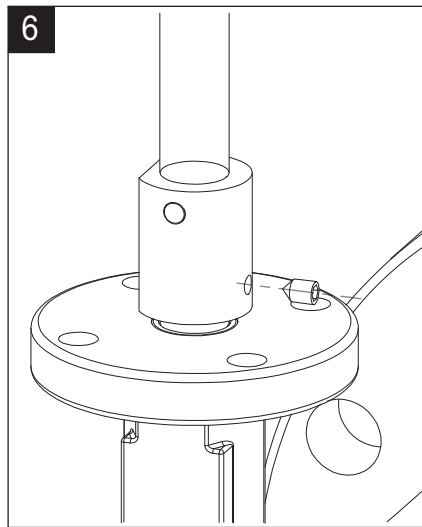
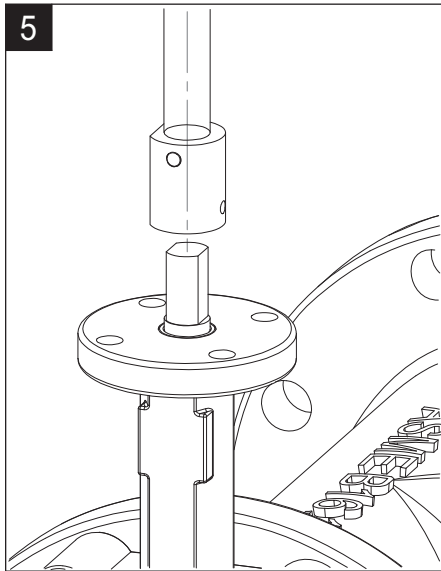
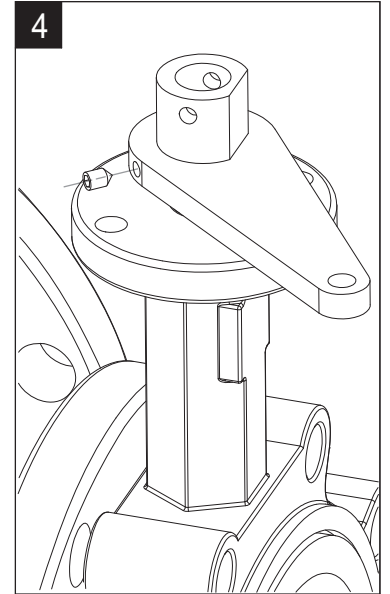
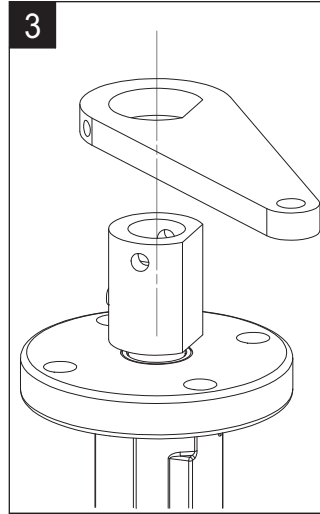
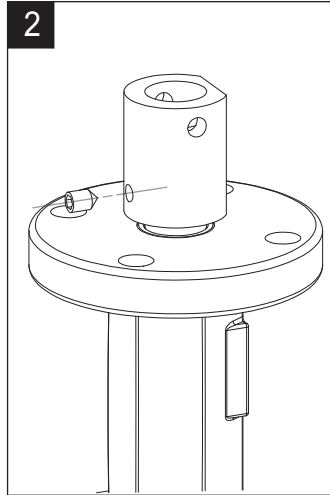
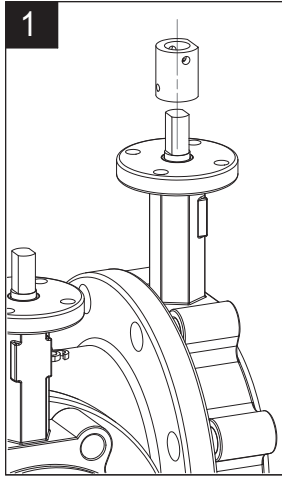
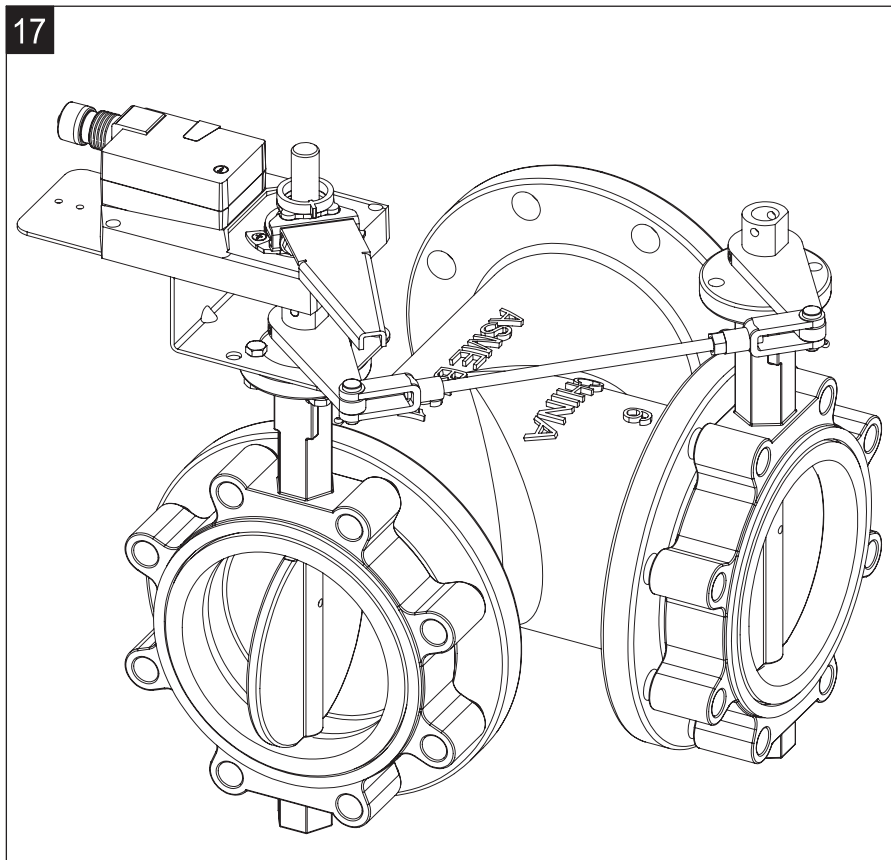
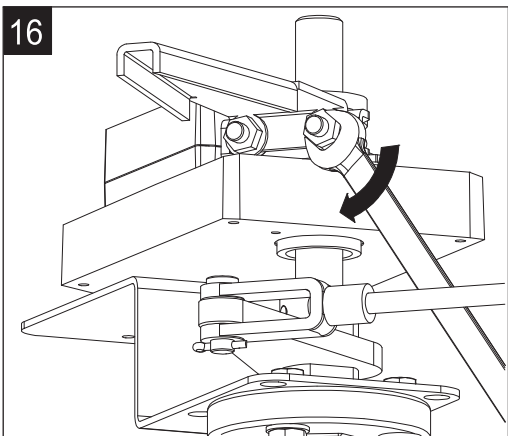
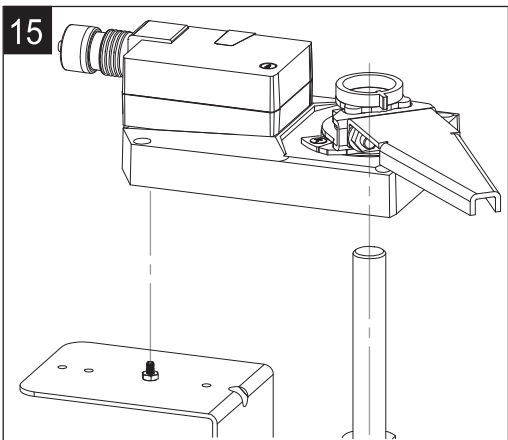
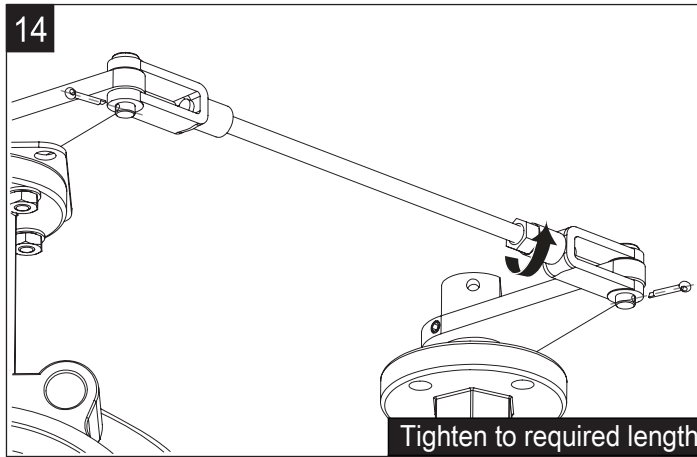
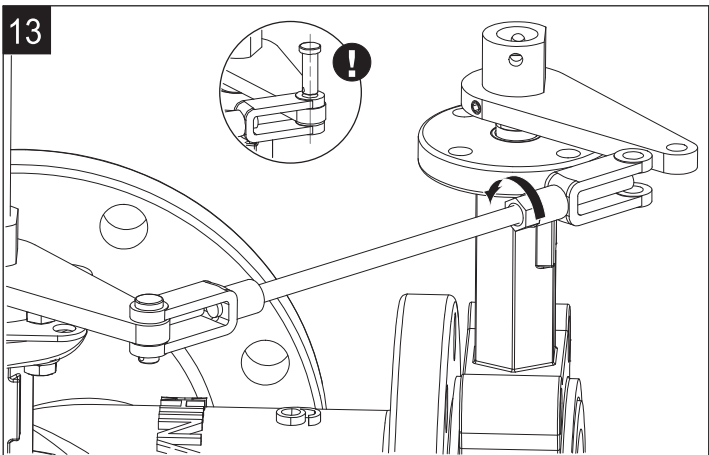
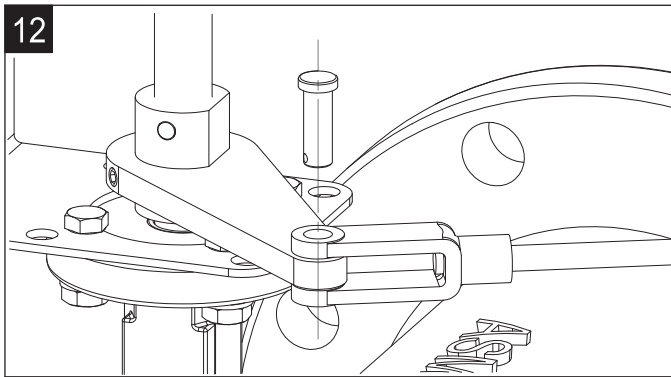
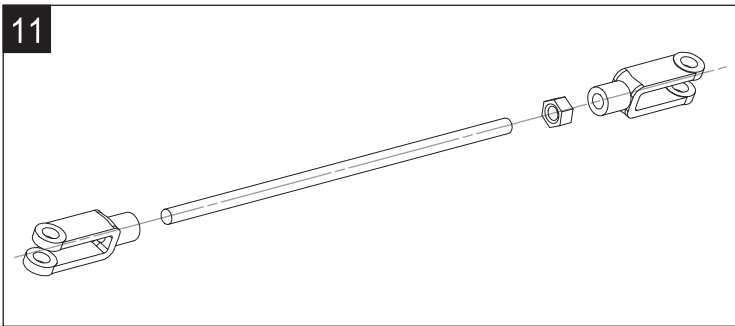


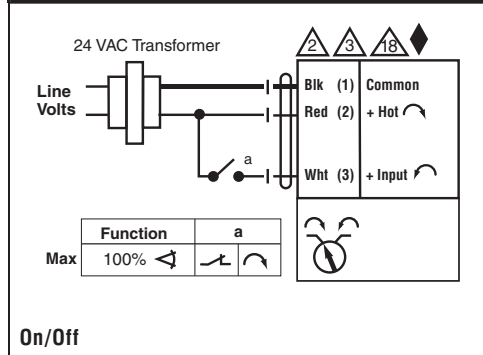
71505-00001

GM-X1 Actuators with F7 Butterfly Valves

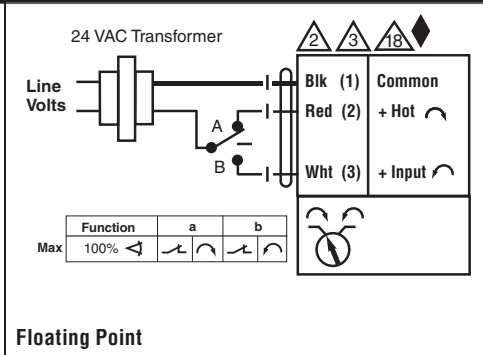




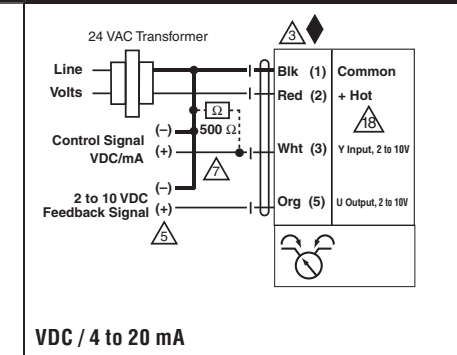
Non-Spring Return Actuator with -3 and -SR



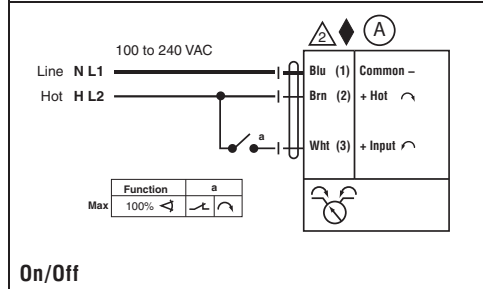
On/Off



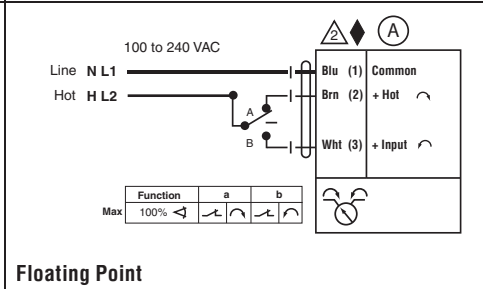
Floating Point



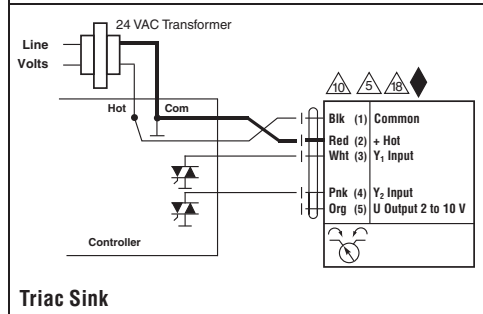
VDC / 4 to 20 mA



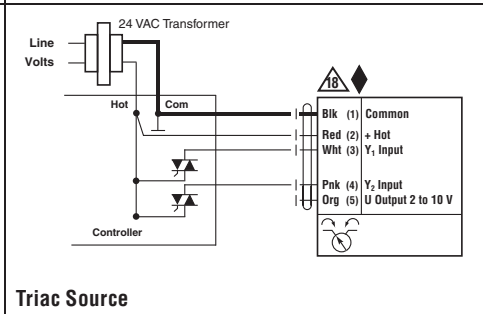
On/Off



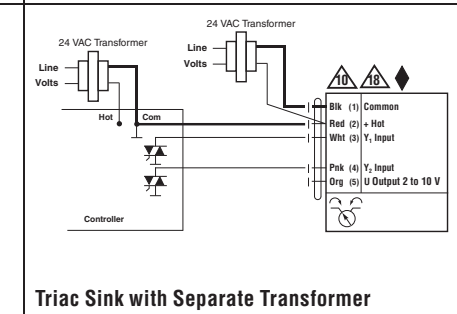
Floating Point



Triac Sink

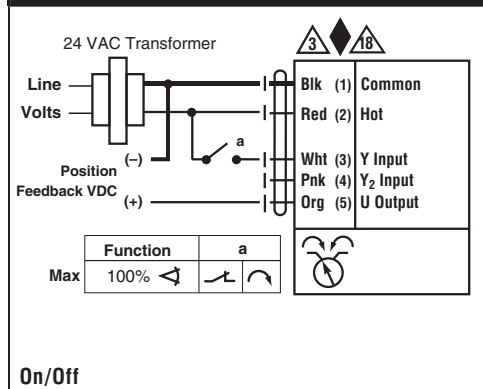


Triac Source

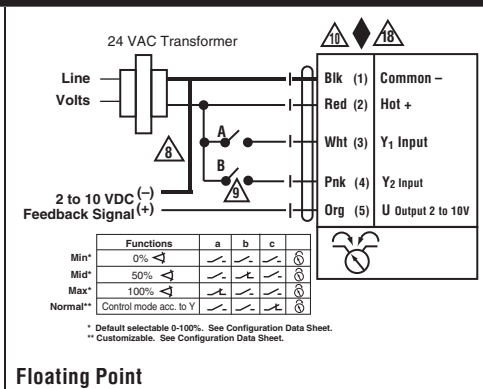


Triac Sink with Separate Transformer

Non-Spring Return Actuator with MFT

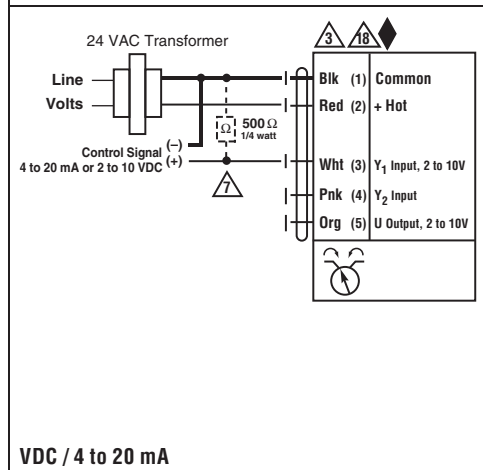


On/Off

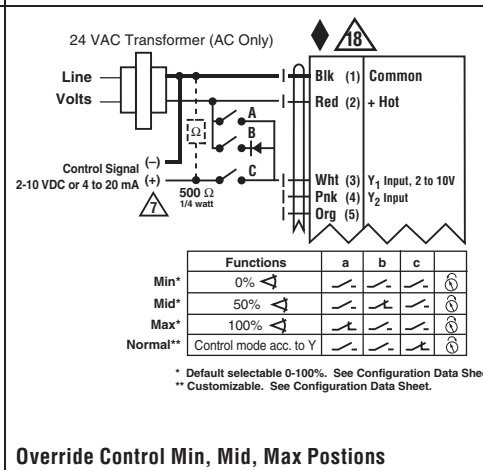


Floating Point

- Notes:**
- ◆ Meets cULus requirements without the need of an electrical ground connection
 - Ⓐ Actuators with appliance cables are numbered.
 - Ⓐ Actuators may be connected in parallel. Power consumption and input impedance must be observed.
 - Ⓐ Actuators may also be powered by 24 VDC.
 - Ⓐ Only connect common to neg. (-) leg of control circuits.
 - Ⓐ A 500 Ω resistor converts the 4 to 20 mA control signal to 2 to 10 VDC.
 - Ⓐ Control signal may be pulsed from either the Hot (Source) or Common (Sink) 24 VAC line.
 - Ⓐ Contact closures A & B also can be triacs. A & B should both be closed for the triac source and open for triac sink.
 - Ⓐ For triac sink the Common connection from the actuator must be connected to the Hot connection of the controller. Position feedback cannot be used with a triac sink controller. The actuator internal common reference is not compatible.
 - Ⓐ Actuators with plenum rated cable do not have numbers on wires; use color codes instead.



VDC / 4 to 20 mA



Override Control Min, Mid, Max Postions

- BRN Brown Marron Brun Marron
- BLU Blue Azul Bleu Azul
- GRN Green Verde Vert Verde
- ORG Orange Anaranjado Orange Alaranjado
- PNK Pink Rosado Rosa Cor-de ros
- WHT White Branco Blanc Branco
- RED Red Rojo Rouge Vermelho
- BLK Black Negro Noir Preto