



- 200 psi (2" to 12") and 150 psi (14"-30") bubble tight shut-off
- Long stem design allows for 2" insulation
- Valve face-to-face dimensions comply with API 609 & MSS-SP-67
- Completely assembled and tested, ready for installation

Application

These valves are designed to meet the needs of HVAC and commercial applications requiring bubble tight shut-off for liquids. Typical applications include chiller isolation, cooling tower isolation, change-over systems, large air handler coil control, bypass and process control applications. The large C_v values provide for an economical control valve solution for larger flow applications. Designed for use in Victaulic piping systems when mated to Victaulic 41 series flange nipples.

Jobsite Note

Valves should be stored in a weather protected area prior to construction. Complete installation recommendations can be found in Belimo's Installation and Maintenance Instructions for F6...HD Butterfly Valves.

Technical Data	
Service	chilled, hot water, 60% glycol
Flow characteristic	modified equal percentage
Controllable flow range	82°
Sizes	2" to 30"
Type of end fitting	for use with ANSI 125/150 flanges
Materials	
Body	ductile iron ASTM A536
Body finish	epoxy powder coated
Disc	304 stainless steel
Seat	EPDM standard
Shaft	416 stainless steel
O-ring	EPDM
Bushings	RPTFE
Media temperature range	-22°F to 250°F [-30°C to 120°C]
Body pressure rating	ASME/ANSI Class 125/150
Close-off pressure	200 psi (2"-12"), 150 psi (14"-30")
Rangeability	10:1 (for 30° to 70° range)
Maximum velocity	12 FPS
Leakage	bubble tight

Valve		Nominal Size		Type		Suitable Actuators			
C_v 90°	C_v 60°	IN	DN [mm]	2-way	Spring	Non-Spring		Electronic Fail-Safe	
115	44	2"	50	F650HD	AF Series	AM			
196	75	2½"	65	F665HD					
302	116	3"	80	F680HD					
600	230	4"	100	F6100HD		GM	DR		
1022	392	5"	125	F6125HD					
1579	605	6"	150	F6150HD					
3136	1202	8"	200	F6200HD					
5340	2047	10"	250	F6250HD					
8250	3062	12"	300	F6300HD					
11917	4568	14"	350	F6350HD					
16388	6282	16"	400	F6400HD					
21705	8320	18"	450	F6450HD					
27908	10698	20"	500	F6500HD					
43116	16528	24"	600	F6600HD					
73426	28146	30"	750	F6750HD					

050904 - 02/12 - Subject to change. © Belimo Aircontrols (USA), Inc.

Valve	Size	C_v	MOD									ON/OFF
			10°	20°	30°	40°	50°	60°	70°	80°	90°	
F650HD	2"	115	.06	3	7	15	27	44	70	105	115	
F665HD	2-1/2"	196	.10	6	12	25	45	75	119	178	196	
F680HD	3"	302	.20	9	18	39	70	116	183	275	302	
F6100HD	4"	600	.30	17	36	78	139	230	364	546	600	
F6125HD	5"	1022	.50	29	61	133	237	392	620	930	1022	
F6150HD	6"	1579	.80	45	95	205	366	605	958	1437	1579	
F6200HD	8"	3136	2	89	188	408	727	1202	1903	2854	3136	
F6250HD	10"	5340	3	151	320	694	1237	2047	3240	4859	5340	
F6300HD	12"	8250	4	234	495	1072	1911	3062	5005	7507	8250	
F6350HD	14"	11917	6	338	715	1549	2761	4568	7230	10844	11917	
F6400HD	16"	16388	8	464	983	2130	3797	6282	9942	14913	16388	
F6450HD	18"	21705	11	615	1302	2822	5028	8320	13168	19752	21705	
F6500HD	20"	27908	14	791	1674	3628	6465	10698	16931	25396	27908	
F6600HD	24"	43116	22	1222	2587	5605	9989	16528	26157	39236	43116	
F6750HD	30"	73426	37	2081	4405	9545	17011	28146	44545	66818	73426	

F6 Series 2-Way, HD Butterfly Valve

Resilient Seat, 304 Stainless Disc



Maximum Dimensions (Inches)

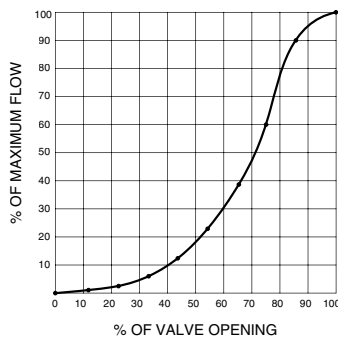
Valve	Size	C _v 90°	C _v 60°	A	B	C	D(Max)	BHC	No. of Holes	Lug Bolt	Actuator	Close-Off (PSI)	
F650HD	2"	115	44	1.65	9.00	9.00	19.50	4.75	4	5/8-11 UNC	AF	200	Spring Return
F665HD	2½"	196	75	1.81	9.00	9.00	20.00	5.50	4	5/8-11 UNC	2*AF	200	
F680HD	3"	302	116	1.81	9.00	9.00	20.50	6.00	4	5/8-11 UNC	2*AF	200	
F6100HD	4"	600	230	2.05	8.00	8.00	21.00	7.50	8	5/8-11 UNC	2*GK	200	Electronic Fail-Safe
F650HD	2"	115	44	1.65	7.00	7.00	15.00	4.75	4	5/8-11UNC	AMB(X)	200	Non-Spring Return
F665HD	2½"	196	75	1.81	7.00	7.00	15.50	5.50	4	5/8-11UNC	AMB(X)	200	
F680HD	3"	302	116	1.81	8.00	8.00	16.00	6.00	4	5/8-11 UNC	GMB(X)	200	
F6100HD	4"	600	230	2.05	8.00	8.00	21.00	7.50	8	5/8-11 UNC	2*GMB(X)	200	
F6100HD	4"	600	2.30	2.05	6.00	4.00	18.00	7.50	8	5/8-11 UNC	DR/DKR	200	
F650HD	2"	115	44	1.65	8.00	13.00	20.25	4.75	4	5/8-11 UNC	SY2...	200	
F665HD	2½"	196	75	1.76	8.00	13.00	20.75	5.50	4	5/8-11 UNC		200	
F680HD	3"	302	116	1.78	8.00	13.00	21.00	6.00	4	5/8-11 UNC		200	
F6100HD	4"	600	230	2.05	8.00	13.00	21.75	7.50	8	5/8-11 UNC	SY3...	200	
F6125HD	5"	1022	392	2.19	8.00	13.00	22.25	8.50	8	3/4-10 UNC		200	
F6150HD	6"	1579	605	2.19	8.00	13.00	22.75	9.50	8	3/4-10 UNC		200	
F6200HD	8"	3136	1202	2.37	12.00	15.00	29.00	11.75	8	3/4-10 UNC	SY4...	200	
F6250HD	10"	5340	2047	2.67	12.00	15.00	30.00	14.25	12	7/8-9 UNC		200	
F6300HD	12"	8250	3062	3.01	12.00	15.00	32.00	17.00	12	7/8-9 UNC		200	
F6350HD	14"	11917	4568	3.02	12.00	15.00	33.00	18.75	12	1-8 UNC	SY5...	150	
F6400HD	16"	16388	6282	4.01	12.00	15.00	34.50	21.25	16	1-8 UNC	SY6...†	150	
F6450HD	18"	21705	8320	4.50	14.00	21.00	39.25	22.75	16	1 1/8-7 UNC	SY8...†	150	
F6500HD	20"	27908	10698	5.00	14.00	21.00	41.50	25.00	20	1 1/8-7 UNC		150	
F6600HD	24"	43116	16528	6.07	14.00	22.00	53.25	29.50	20	1 1/4-7 UNC		SY11...†	150
F6750HD	30"	73426	28146	6.51	14.00	22.00	57.50	36.00	28	1 1/4-7 UNC	SY12...†	150	

Dimension "A" is compressed, add .125" for relaxed state.
 †SY6 and larger available in 110/220 VAC versions only.
 AF, AM and GM maximum actuator ambient temperature is 122°F.
 SY... maximum actuator ambient temperature is 150°F.

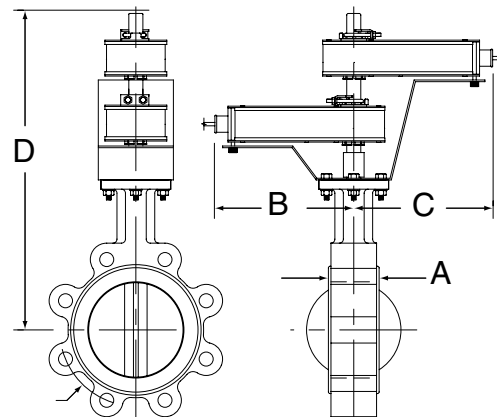
Application Notes

- Valves are rated at 200 psi differential pressure in the closed position (SY... 150 psi 14"+).
- Valves are furnished with lugs tapped for use with ANSI Class 125/150 flanges. Installation flanges and hardware are not included.
- 2-way assemblies are furnished assembled and tested, ready for installation.
- Dimension "D" allows for actuator removal without the need to remove the valve from the pipe.
- Weather shields are available, dimensional data upon request.
- Dual actuated valves have actuators mounted on a common valve shaft.
- Belimo SY Series actuators are NEMA 4X rated.

Flow Pattern

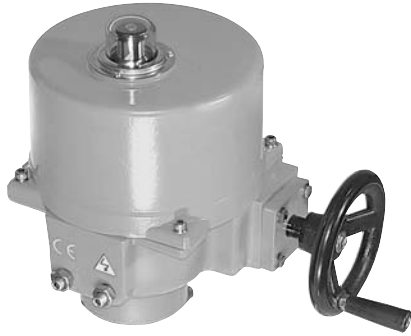


Dimensions



BF2WUDDIM

050904 - 02/12 - Subject to change. © Belimo Aircontrols (USA), Inc.



Application:

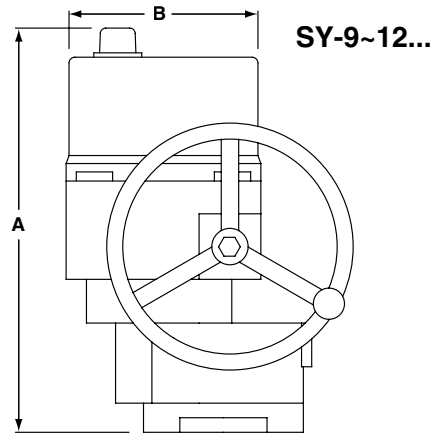
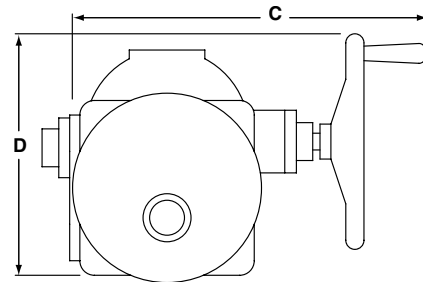
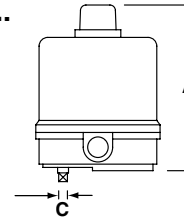
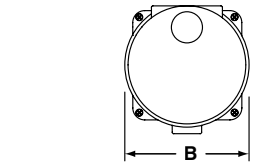
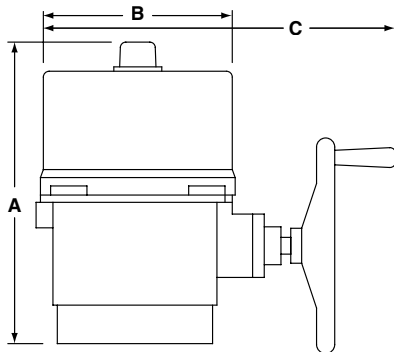
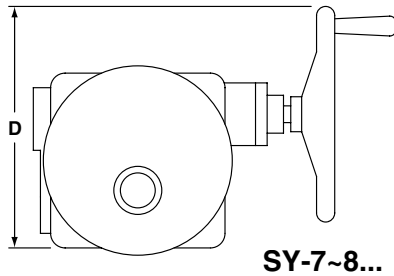
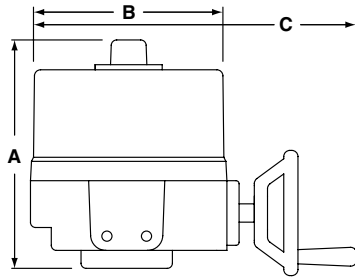
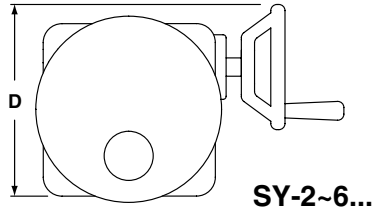
The SY actuators are NEMA 4X rated and designed to meet the needs of HVAC and Commercial applications. Offered on Belimo standard and high performance valve series, these actuators are available for on/off and modulating applications. Depending on the application, they are available in 24 VAC/VDC, 120 VAC and 230 VAC.

Technical Data	
Electrical connection	½" conduit connector, screw terminals
Motor protection	H Class insulation (SY-1), F Class (SY-2...5)
Gear train	high alloy steel gear sets, self locking
Operating range	(SY...-24) on/off, floating point (SY...24MFT) 2-10 VDC, 4-20 mA, 0-10 VDC
Sensitivity	(SY...24MFT) 0.4 mA/200mV
Reversal hysteresis	(SY...24MFT) 1.0 mA/500mV
Feedback	(SY...24MFT) 2-10 VDC
Angle of rotation	90°
Direction of rotation	reversible
Position indication	top mounted domed indicator
Internal humidity control	resistive heating element
Auxiliary switches	factory set for 5° and 85° change of state SY1: (2) SPDT, min 1 mA, 24 VAC; max 3A, 250 VAC. SY2-12: (2) SPDT, min 1 mA, 24 VAC; max 5A, 250 VAC.
Ambient temperature	-22°F to +150°F [-30°C to +65°C]
Humidity range	up to 95%
Housing type	IP67, NEMA 4X
Housing material	die cast aluminum alloy
Agency listings	ISO, CE, cCSAus

Power Supply

24 VAC/VDC 50/60Hz, single phase

Model	Torque	Speed	Power Consumption	Duty Cycle		Override	Weight
				On/Off	MFT		
SY1-24(P)	35Nm/310 in-lbs	15s	1.8A	30%	75%	8mm Wrench	2.0kg/4.9 lb.
SY2-24(MFT)	90Nm/801 in-lbs	15s	3.0A	30%	75%	Hand Wheel	11kg/24.5 lb.
SY3-24(MFT)	150Nm/1335 in-lbs	22s	3.0A	30%	75%	Hand Wheel	11kg/24.5 lb.
SY4-24(MFT)	400Nm/3560 in-lbs	16s	6.0A	30%	75%	Hand Wheel	22kg/48.5 lb.
SY5-24(MFT)	500Nm/4450 in-lbs	22s	6.5A	30%	75%	Hand Wheel	22kg/48.5 lb.



M40048 - 06/10 - Subject to change. © Belimo Aircontrols (USA), Inc.

MODEL	DIM A (MAX)	Add to Dim A for cover removal	DIM B	DIM C (MAX)	DIM D
	Inches [mm]	Inches [mm]	Inches [mm]	Inches [mm]	Inches [mm]
SY1	6.10 [155]	3.94 [100]	4.25 [108]	8mm	-
SY2~3	10.04 [255]	7.48 [190]	7.87 [200]	12.99 [330]	7.87 [200]
SY4~6	12.40 [315]	8.86 [225]	9.21 [234]	14.96 [380]	11.81 [300]
SY7~8	16.54 [420]	8.86 [225]	9.21 [234]	17.72 [450]	13.39 [340]
SY9~12	23.23 [590]	8.86 [225]	10.24 [260]	18.50 [470]	13.78 [350]

Note: ~ indicates range of actuator i.e., SY2~3 = SY-2 and SY-3