

# ZS-GV-001 Globe Valve Weathershield

For Use with LV and SV Series Actuators



Technical Data	
Hardware	SS Screws and rubberized washers
Frame, plate, base	zinc plated steel
Housing Material	low carbon steel painted orange
Ambient Temperature Range	-22°F to 122°F [-30°C to +50°C]
Humidity	5 to 95% RH non-condensing
Weight	7.5 lb [3.4 kg]

Weather cover only, not Nema rated

### Application

The ZS-GV-001 weather shield provides moderate protection to globe actuators which are mounted outdoors. This product is not designed as a water tight enclosure. The one piece steel housing allows easy mounting over LV and SV series globe actuators. The two piece steel bottom allows for water to be shielded away.

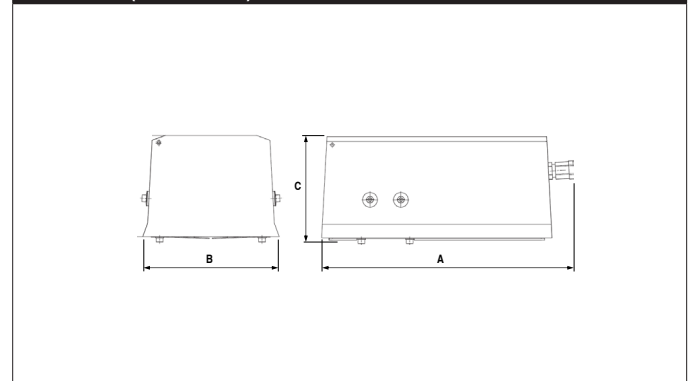
### Operation

The ZS-GV-001 weather shield is supplied as a one piece enclosure with a split bottom. Two 7/8 inch wiring holes are pre-drilled to allow easy connections of supplied conduit connectors to the housing. The bottom plates will be assembled to the actuator's side supports to prevent water coming up. Also supplied will be two rubberized washers to cover mounting holes after housing is installed.

### Suitable Actuators

	Spring	Electronic Fail-Safe
ZS-GV-001	LVB(X), SVB(X)	LVB(X), SVB(X)

### Dimensions (Inches [mm])



A	B	D
14" [356]	7.00" [3568]	4" [101.6]

Date created, 03/03 - Subject to change. © Belimo Aircontrols (USA), Inc.